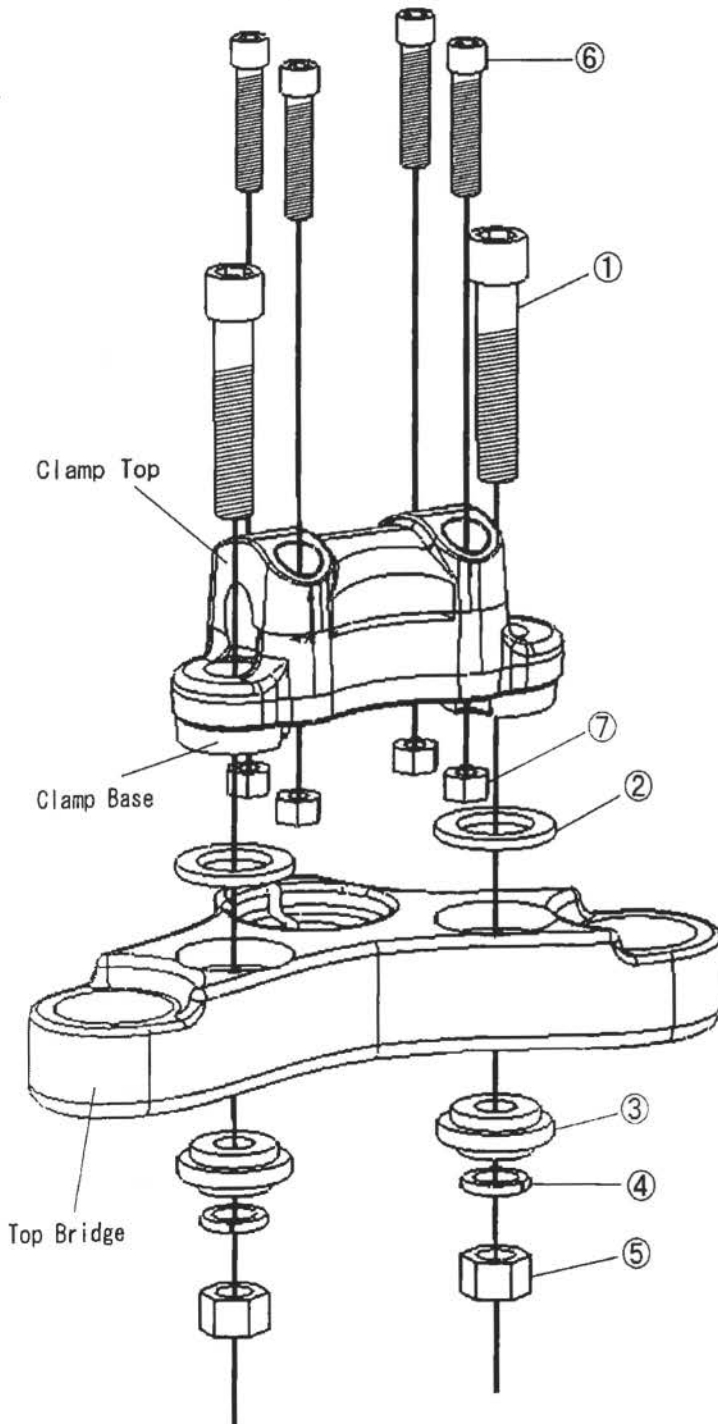


# Narrow Rise Clamp parts list and Installation procedure



No	parts	size	Quantity	Other details
①	Bolt	1/2-13x2-1/2	2	Anti-seize is applied
②	Spacer	-	2	Only for 39mm ('87up)
③	Solid mount	-	2	
④	Spring washer	-	2	
⑤	Nut	1/2-13	2	
⑥	Clamp bolt	5/16-18	4	
⑦	Clamp nut	5/16-18	4	

## Installation procedure



1. Place the bolts ① into clamp base
2. Assemble clamp top and base using with bolts ⑥ and nuts ⑦. A handle bar is not needed at this time.
3. Install the assembly in top bridge, using with ③,④,⑤.  
(To do this way, clamp nuts are trapped between clamp base and top bridge.)  
  
If your front fork is 39mm('87up), use spacer ② between clamp top and top bridge.
4. Unscrew the bolts ⑥ and remove the clamp top.
5. Hold the bolt ① not to turn, then tighten the nut ⑤ with sufficient torque.
6. Place the handlebar you use on clamp base, place the clamp top on it. Lightly tighten bolts ⑥.
7. After adjusting angle and center of the handle bar, tighten clamp bolts ⑥ evenly.

### Caution!

To avoid seizing stainless bolt and nut, Anti-seize is applied on bolts ①.  
**DO NOT WASH AWAY!**